

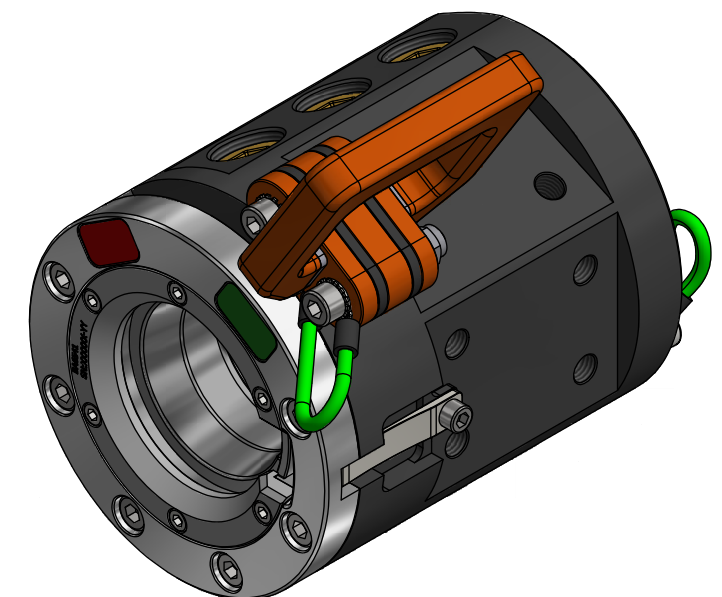
NOTE: 1
DESIGN CODE:
NS-EN 13445

NOTE: 2
TECHNICAL CLASSIFICATION:
Article Type: 003-Valve Stabs
Main Group: 3.04. Ø60-Valvestab
Intermediate Group: 3.34.02. Receptacle
Sub Group: 3.34.75.3. Triple

NOTE: 3
INTERFACE INFORMATION:
Pressure Rating Bar: 250
Material: Intervention
Weight: 8,6 kg
Volume: 1,99 dm³
Surface Area: 4171 cm²
Hydraulic: 2x3/4" BSP - 1x1/2" BSP
Mechanical: N/A
Electrical: N/A
Com. & Protocol: N/A

NOTE: 4
SPAREPARTS:
BB1703

NOTE: 5
ADDITIONAL INFORMATION:
Usermanual: 600134-TD-0004



10	29.5.2024	9-IFU (Issued for Use)		WTJ	HNJ	WTJ
09	14.11.2023	9-IFU (Issued for Use)		WTJ	LGH	WTJ
08	4.9.2020	9-IFU (Issued for Use)		WTJ	HNJ	WTJ
07	30.1.2019	9-IFU (Issued for Use)		WTJ	LGH	WTJ
Rev.	Date	Reason for issue	Revision change	Made	Chk'd	Appr.



Dwg Scale:	NTS
Dwg Proj:	
Dwg Format:	A3

Drawing title:	Ø60 TP VStab Rec 250Bar Interv Man BSP 3/4"-1/2" WeLi
Drawing number:	BA6542
Rev.	10